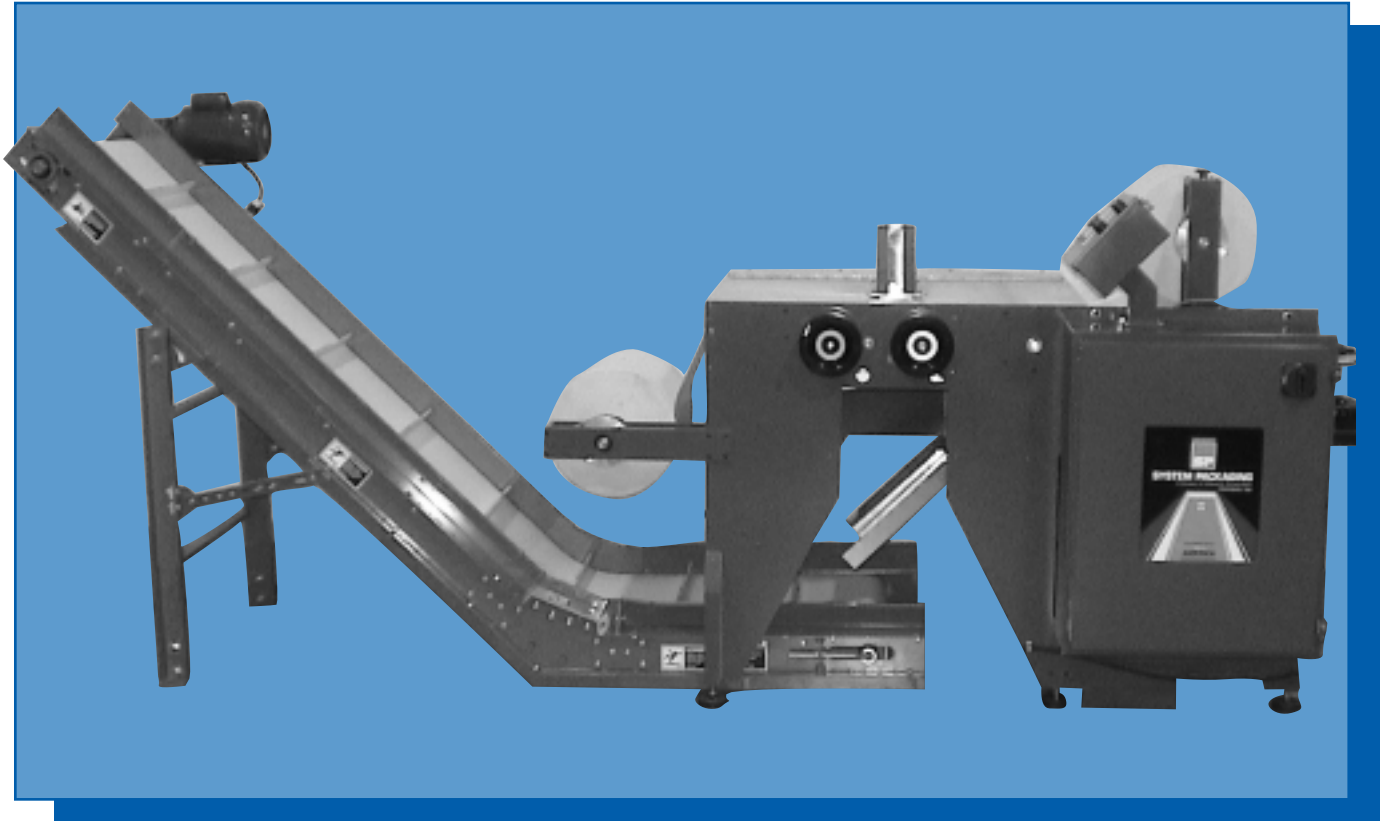


# Model 4500



## Model 4500 - Ideal for packaging a variety of small items

The Model 4500 is ideal for packaging hardware, fasteners, electronic parts and drapery accessories. The 4500 is available in 6, 12 or 15 inch web width – for use with paper, polyethylene, or a combination of both. With hand or automatic feed, the system can deliver up to 40 to 50 units per minute

A wide selection of options are available to adapt this versatile double web pouch machine to suit your particular packaging requirements.



**SYSTEM PACKAGING**

# Model 4500

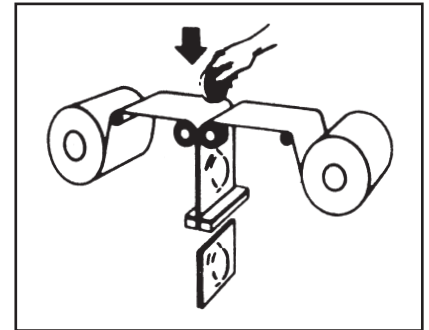
## SPECIFICATIONS

Model	DIMENSIONS			MAXIMUM SPEED (units per minute)	PACKAGE SIZE (ADJUSTABLE)		STANDARD ELECTRICAL REQUIREMENTS
	L	D	H		Min.	Max.	
4500-6	41"	31"	33"	Up to 50	3" x 3"	6" x 8"	110-120 volt, 60 hz., 6 amp*
4500-12	52"	34"	37 <sup>3</sup> / <sub>4</sub> "	Up to 45	3" x 3"	12" x 20"	110-120 volt, 60 hz., 15 amp*
4500-15	55"	34"	37 <sup>3</sup> / <sub>4</sub> "	Up to 45	3" x 3"	15" x 20"	110-120 volt, 60 hz., 15 amp*

\*Also requires an 80 PSIG Air Connection

## FEATURES

- ▶ 6 or 12 inch web width
- ▶ Forms pouches as deep as 20"
- ▶ No warm-up or cool-off time
- ▶ Low electricity consumption...no special ventilation problems
- ▶ Dial-in length control system lets operator vary pouch length in 1/10" increments for utmost economy of material



## OPTIONS

- ▶ Electric eye cutoff
- ▶ Roll printer
- ▶ Print and apply labelers, for direct package labeling
- ▶ Casters
- ▶ Batch counter
- ▶ Infeed conveyer (Bucket)
- ▶ Incline Conveyor
- ▶ Parts counter and feeder
- ▶ No product/No package

## WEBS

- ▶ Paper — Paper
- ▶ Poly — Paper
- ▶ Poly — Poly
- ▶ Air Cap