



# Case Sealer

LD-7

## Case Sealing for the Real World

This reliable case sealer for industrial environments seals a wide range of cases.

Little David delivers packaging equipment that works for you



Self-centering side rails



(Shown with optional pack table.)

### The LD-7 offers:

- ▣ Low maintenance
- ▣ UL listed
- ▣ Quick changeover
- ▣ Safe single mast
- ▣ Economical
- ▣ Single hand tightening adjustments
- ▣ Interchangeable tape cartridges

### The LD-7 replaces:

- ▣ Expensive labor
- ▣ Hand taping boxes
- ▣ Unsafe machinery

Little David LD-7



**LITTLE DAVID**

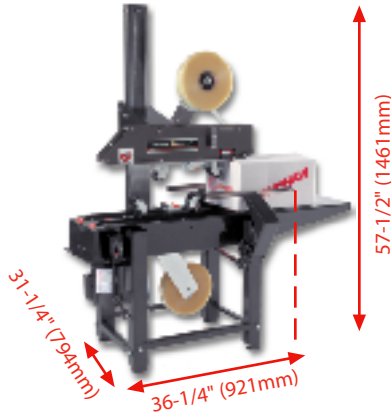


[www.loveshaw.com](http://www.loveshaw.com)

# LD-7

## Dimensions:

### LD-7:



## Additional Case Sealer Models:

### Also Available LD-7SS:

- Stainless steel case sealer
- Wash down



### Also Available Uniform Legend:

- Semi-automatic case sealer
- Seals top and bottom of uniform box sizes



## Options of the LD-7:

- Casters
- Available for 3" wide tape
- Leg adjustments to accommodate various conveyor heights
- High mast for box heights to 34" (864mm)
- Front and rear solid or roller pack table
- Top squeezers

## Distributor Information:

## Features of the LD-7:

### Reliable Performance - Warranty:

- 1 Year all components\*
- 2 Years Gear Reducer
- 3 Years Cartridge\*
- \*Moving and wear parts are not included. Other restrictions may apply. Consult Loveshaw or your authorized Little David® Distributor for details

### Flexible:

- Tapes boxes from 4-1/2" (114mm) to 24" (610mm)
- Compact design allows for portability

### Easy Operation:

- Plug in operation
- Minimal operator training required
- Sealed drive system
- CaseLocker ST™ tape cartridge requires no lubrication

### Safe:

- UL listed
- Single mast design allows clear access
- Knife guard system of the CaseLocker ST™ tape cartridge allows the blade to be exposed only when the rollers are depressed

## Specifications of the LD-7:

### Power Requirements:

- 115 - 220 Volts, 60 cycle, single phase
- Note: Other voltages available. Contact Loveshaw for details.

### Operating Speed:

- Continuous belt drive; 80' per minute (24.4 m/min.)  
(production rate depends on box size and operator dexterity)

### Weight:

- 196.5 lbs (89 kg) uncrated

### Closure Material:

- Pressure sensitive tape

### Case Capacity: (with 2" wide CaseLocker ST™ Cartridge):

Length: 4-1/2" (114mm) - infinite

Width: 4-1/2" (114mm) - 22" (559mm)

Height: 4-1/2" (114 mm) - 24" (610 mm)

- Note: Certain length x width x height combinations may not process due to unstable conveying conditions.



# PACKAGING

888-922-1622

WWW.IPACK.COM



©Loveshaw, an ITW Company, 2004