

DEUTSCH	3
ENGLISH	13
FRANÇAIS	23
ITALIANO	33

BETRIEBSANLEITUNG**OPERATING INSTRUCTIONS****MODE D'EMPLOI****ISTRUZIONI PER L'USO**

CM 14

Ab Serie-Nr. 22'000

From serie no 22'000

A partir du no de série 22'000

A partire dal no di serie 22'000

Handgerät zum Umreifen mit Stahlband

Hand tool for steel strapping

Appareil pour le cerclage par feuillard d'acier

Apparecchio per reggiare con reggetta d'acciaio

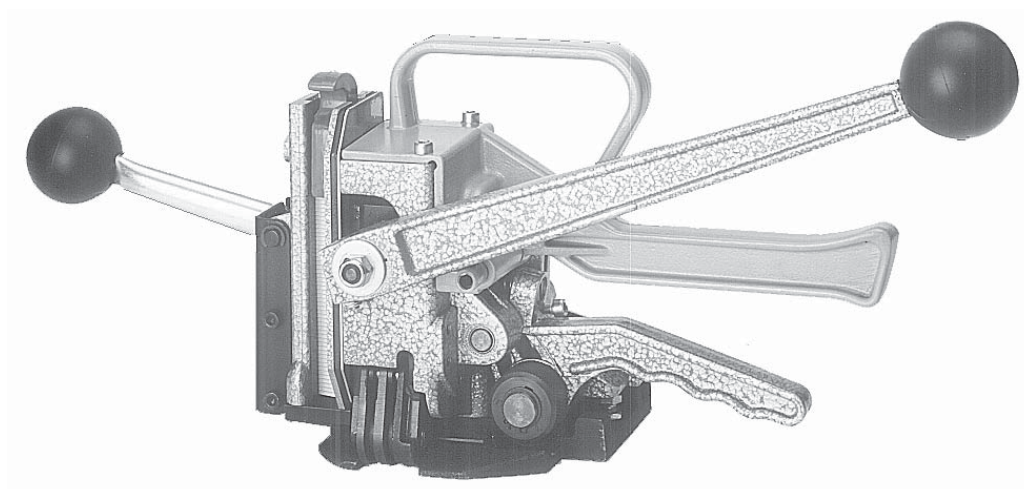


TABLE OF CONTENTS

	Page
1 Technical data	13
2 General information	14
2.1 Information on environmental protection	14
3 Safety instructions	15
4 Description	16
4.1 Design	16
4.2 Function	16
5 Operating instructions	17
5.1 Refilling seals	17
5.2 Operating the tool	17
6 Preventive and corrective maintenance	19
6.1 Cleaning the tool	19
6.2 Setting the cutting depth	19
6.3 Setting clearance between tension wheel and toothed plate	19
7 Parts list	20
Explosion drawing	22

1

TECHNICAL DATA

Weight	4.1 kg (9 lbs)
Dimensions	Length 360 mm (13.75") Width 150 mm (6.25") Height 200 mm (8")
Tension force	Up to approx. 4500 N
Sealing	with seal (two notches)
Seal magazine	for 50 seals

STEEL STRAP

Strap width	13, 16, 19 mm ($\frac{1}{2}$ ", $\frac{5}{8}$ ", $\frac{3}{4}$ ")
Normal quality:	
Strap thickness	0.40–0.63 mm (.015"–.025")
Tensile strength	Up to approx. 850 N/mm ² (117'000 lbs/in ²)
High strength quality:	
Strap thickness	0.40–0.50 mm (.015"–.020")
Tensile strength	Up to approx. 1100 N/mm ² (156'000 lbs/in ²)

SEAL

Strap width 13 mm	CCP 441
Strap width 16 mm	CCP 541
Strap width 19 mm	CCP 641

2

GENERAL INFORMATION

These operating instructions are intended to simplify familiarisation with the strapping tool and the ways in which it may be used for the intended purpose. The operating instructions contain important information concerning the safe, proper and efficient use of the strapping tool. Compliance with the instructions will help to avoid danger, reduce repairs and stoppages and increase the reliability and service life of the strapping tool.

The operating instructions must always be available at the place of operation of the strapping tool. They must be read and observed by all persons concerned with work on the strapping tool. This work specifically includes operation, refilling of operating material, fault elimination and maintenance.

In addition to the operating instructions and the regulations for accident prevention effective in the country of use and place of application, the recognised technical regulations for safety and proper working must also be observed.



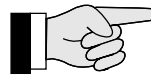
CAUTION!

Used where there is danger to life and health.



WARNING!

Used for danger which can cause material damage.



NOTE!

Used for general information and information which, if not followed, can cause faults in the operating sequence.

2.1 INFORMATION ON ENVIRONMENTAL PROTECTION

This tool is manufactured without any physical or chemical substances which could be dangerous to health.

For disposal of all the parts, the governmental instructions must be observed.

3

SAFETY INSTRUCTIONS



Inform yourself!
Read the operating instructions carefully.

Use for the intended purpose

The tool is intended for strapping pallets, cases crates as well as metal, wooden and concrete goods.

This tool was designed and manufactured for safe handling during the strapping operation.



Protect yourself!
When operating the tool, wear eye, face and hand protection (cut-proof gloves).

The tool processes steel straps only.

Possible misuse

The use of plastic straps is not possible.



Warning:
Strap will snap forward!
When cutting the strap, hold the upper portion and stand safely away from the strap.
Caution:
The lower strap will snap forward.



Warning:
Strap could break!
Do not stand in line with the strap while it is tensioned. The strap could break!



Caution:
Danger of squeezing!
Do not put your fingers into the tension wheel area.



Caution:
Only strap packed goods!
Do not put hands or other parts of the body between the strap and the package during the strapping process.



Original ORGAPACK seals must be used exclusively.



Original ORGAPACK spare parts must be used exclusively!
Not using original spare parts will dissolve the warranty and the liability.

4

DESCRIPTION

4.1 DESIGN

- 1 Sealing lever
- 2 Rocker lever
- 3 Tension wheel and toothed plate
- 4 Seal magazine
- 5 Seal slide-in
- 6 Tension lever
- 7 Seal weight block
- 8 Carrying handle
- 9 Handle

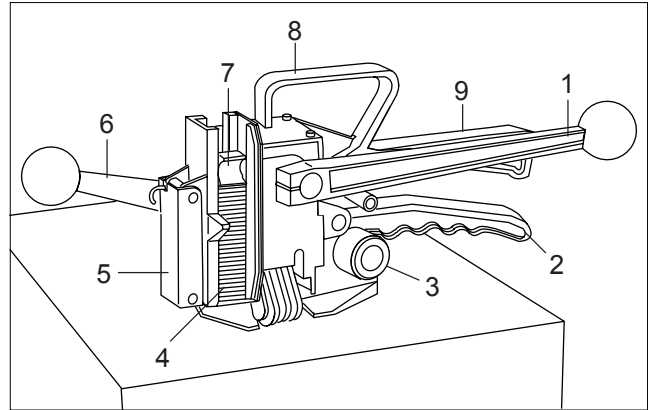


Fig. 1

4.2 FUNCTION

- Cramping of strap through toothed plate (2/5).
- Tensioning by feed wheel principle (2/4).
- Feeding of seal (2/1) out of seal magazine.
- Sealing by notching (2/2) the seal.
- Strap cut with knife (2/3).

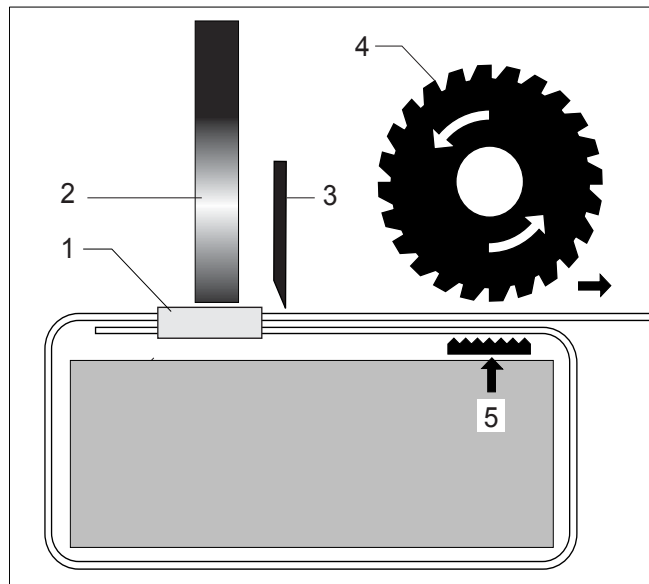


Fig. 2

5

OPERATING INSTRUCTIONS

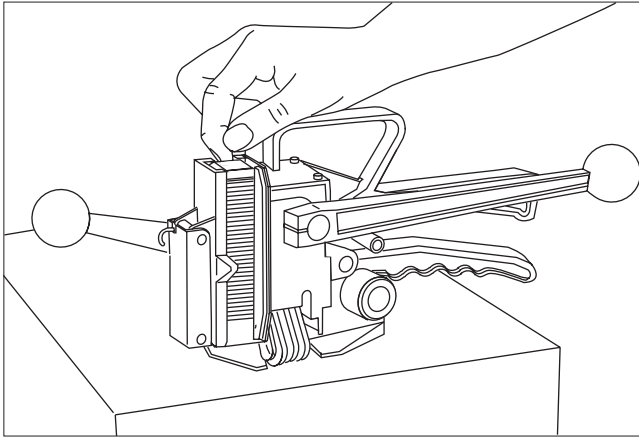


Fig. 3

5.1 REFILLING SEALS

- Pull out and fold back the seal weight block. Refill the magazine with a new stack of seals, so that the short part of the seals looks towards the open side of the magazine. Replace the seal weight block on top on the seals.
- If the sealing device is empty, the sealing lever must be operated once, so that one seal get pushed into the sealing mechanism.

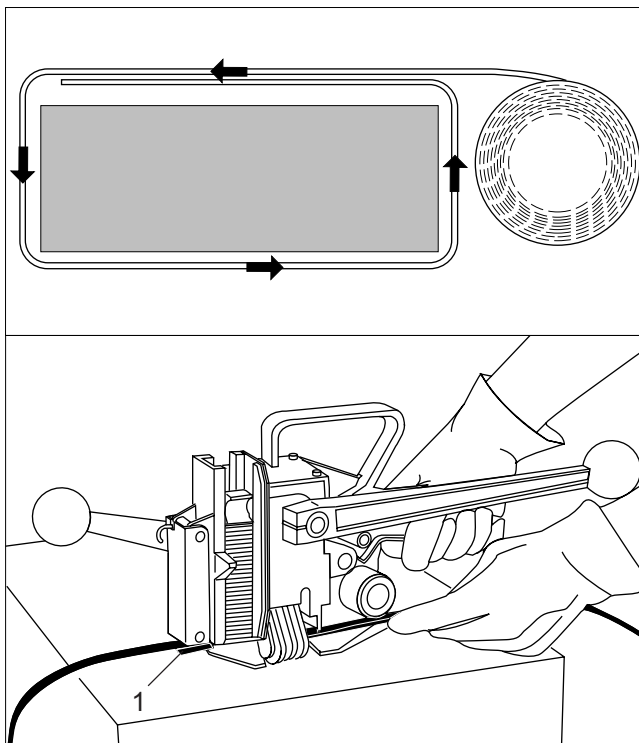


Fig. 4

5.2 OPERATING THE TOOL

- Place strap firm around the package and hold it with the left hand so that the lower strap start (4/1) is approx. 20 cm (8") away from the hand.
- Grip the tool with the right hand and lift the rocker lever towards the handle.
- Slide both straps into the tool until the stop is reached, the lower strap start must be below the seal magazine. The lower strap start projects approx. 5 cm (2") above the tool.
- Release the rocker lever. The straps are clamped and are fed from the tool.

- Hold the tool with the left hand by the carrying handle (5/1) and move the tension lever (5/2) with the right hand back- and forward until the desired strap tension is reached.

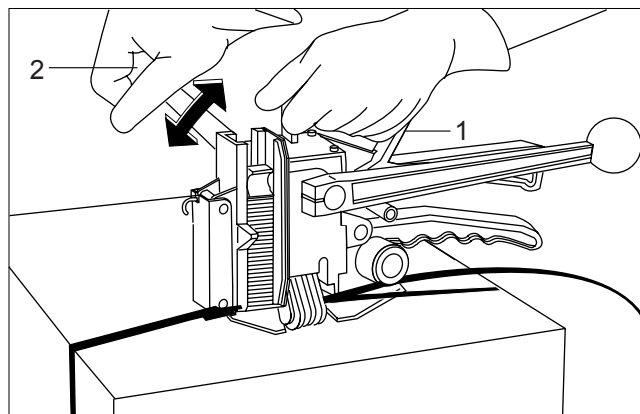


Fig. 5

- Grip the tool on the handle (6/1) with the right hand and press the sealing lever (6/2) with the left hand forward until the stop is reached.
- Pull back the lever.

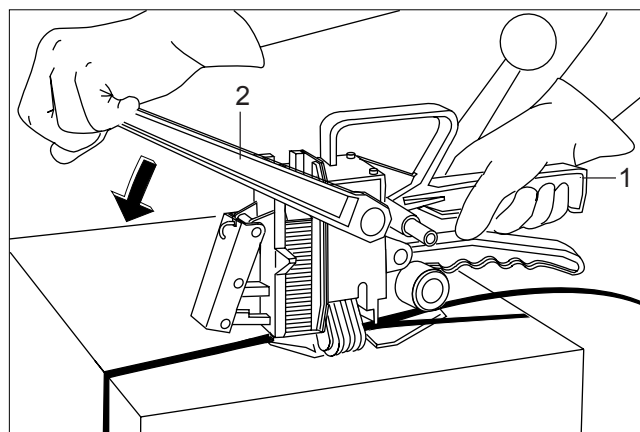


Fig. 6

- Pull the rocker lever towards the handle with the right hand and swivel the tool away to the right of the strap.

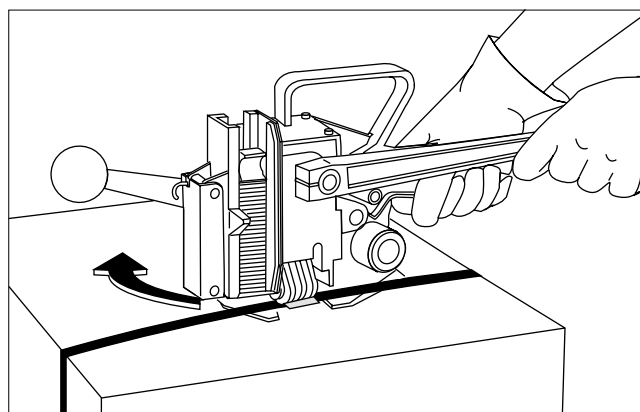


Fig. 7

Check of seal

To obtain the maximum seal efficiency, the notches have to be cut properly into the seal.



An incorrect sealed strapping cannot secure the package and can thus lead to injuries.

6

PREVENTIVE AND CORRECTIVE MAINTENANCE

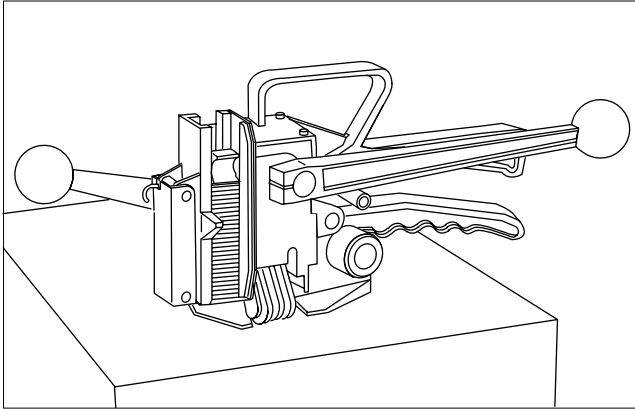


Fig. 8

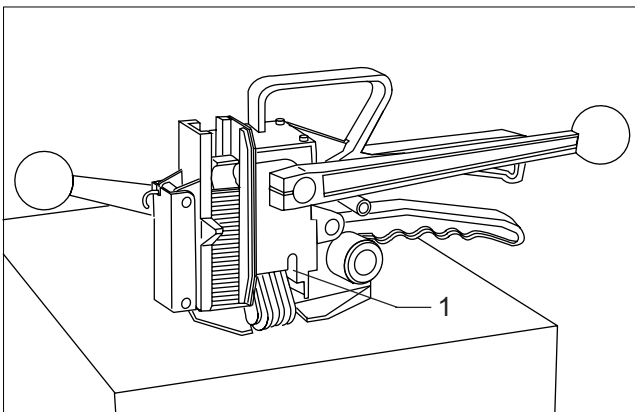


Fig. 9

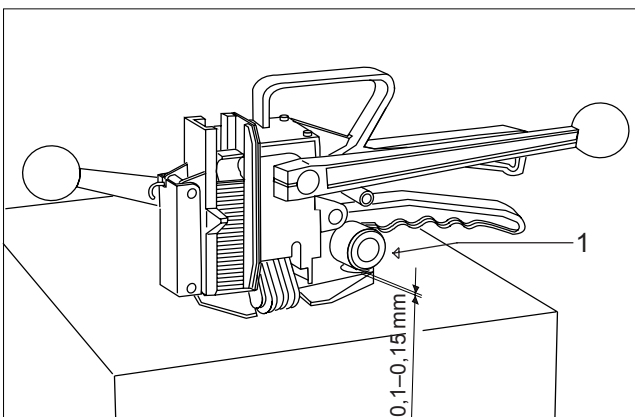




Fig. 10

6.1 CLEANING THE TOOL

 The tool should be regularly (daily) cleaned and lubricated.


Little oil between the jaws and on the sliding surfaces of the aluminium housing is sufficient.

6.2 SETTING CUT-OFF DEPTH

 The setting of the cutting depth must correspond to the thickness of the relevant strap. If set incorrectly, the sealing strength can be reduced.

- With screwdriver turn the screw (9/1). Turning in clockwise direction, the cutting will be increased, turning counter-clockwise the cut-off depth is reduced. When correctly adjusted the upper strap will be cut through without damaging the lower strap.

6.3 SETTING CLEARANCE BETWEEN TENSION WHEEL AND TOOTHED PLATE

 The tension wheel and toothed plate must not touch (damage the teeth). If the spacing is too great, the strap slips through before the final tension is reached.

- At the rear of the tool, loosen counter nut (10/1).
- Set the hex screw so that the clearance between tension wheel and toothed plate is between 0.1–0.15 mm (.004"–.006"). Turning clockwise reduces the clearance, turning counter clockwise increases the clearance.
- Tighten counter nut.

7

PARTS LIST 1172.400.000/13

When ordering please indicate part number and quantity

Explosion drawing see page 22

*** Recommended spare parts**

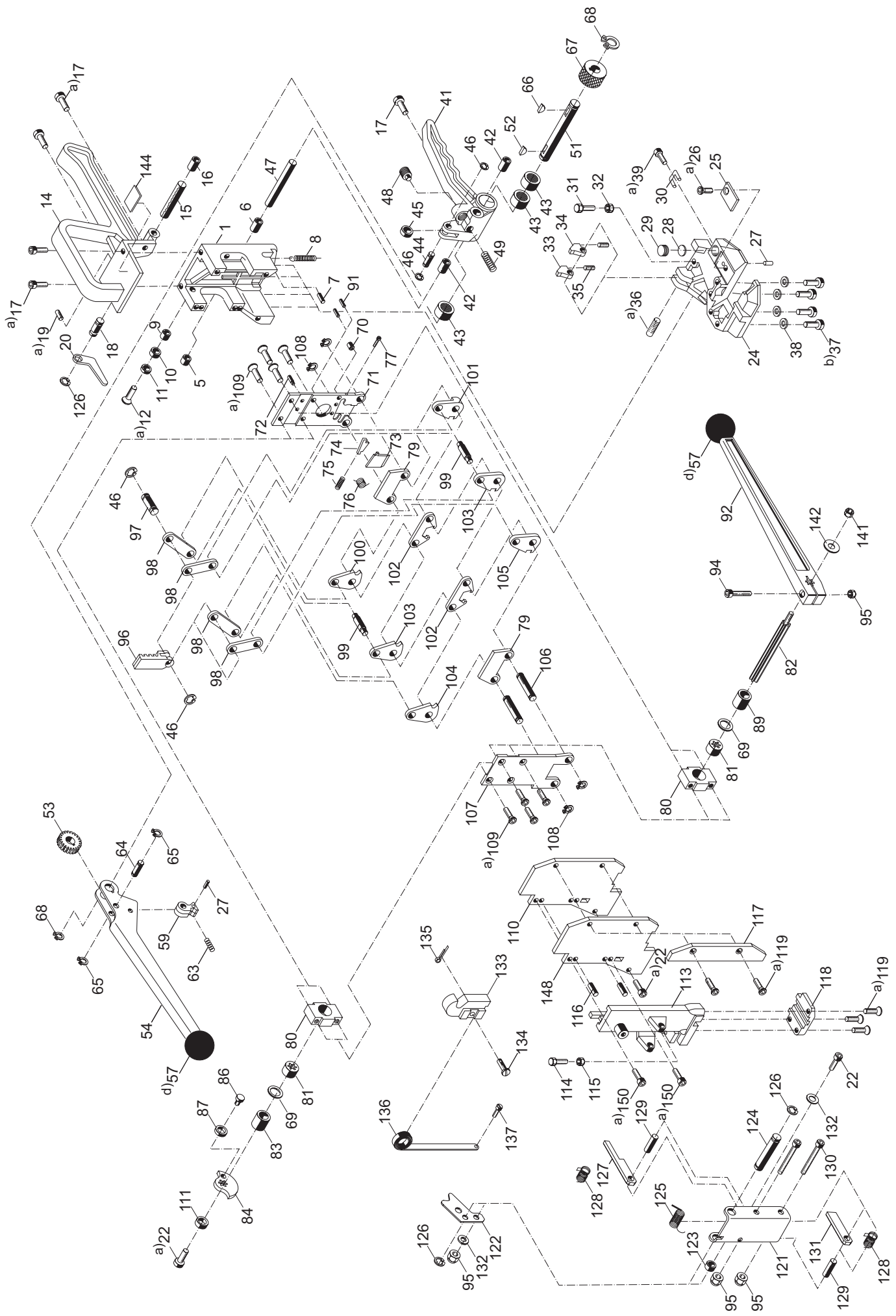
13 mm = 1/2", 16 mm = 5/8", 19 mm = 3/4"

Pos.	Part no	Part name	Quantity
1	1172.500.002	Housing, incl. Pos. 5 - 7	1
2			
3			
4			
5	1935.510.100	Slide bearing, ø 10/12 x 10	1
6	1935.510.200	Slide bearing, ø 10/12 x 20	1
7	1922.104.123	Ridget pin, ø 4 x 12	1
8	1820.010.140	Tension spring	1
9	1820.020.145	Bushing	1
10	1820.020.147	Guide roll	1
11	1820.020.146	Washer	1
12	1911.906.202	Counter sunk screw, M 6 x 20	1
13			
14	1172.500.003	Handle	1
15	1921.908.542	Roll pin, ø 8 x 60	1
16	1820.020.175	Sleeve	1
17	1911.005.168	Cylinder screw, M 5 x 16	5
18	1820.030.318	Shaft	1
19	1910.505.082	Set screw, M 5 x 8	1
20	2172.600.018	Lifting device	1
21			
22	1911.005.128	Cylinder screw, M 5 x 12	3
23			
24	1172.540.001	Base plate 13 mm	1
24	1172.550.001	Base plate 16 mm	1
24	1172.560.001	Base plate 19 mm	1
* 25	1172.500.005	Cutter plate	1
26	1911.905.102	Counter sunk screw, M 5 x 10	1
27	1921.902.085	Roll pin, ø 2.5 x 8	2
28	1820.020.149	Shim	1
* 29	1820.040.080	Tooth plate, hard metal	1
30	1830.000.287	Safety wire	1
31	1911.506.128	Hex. screw, M 6 x 12	1
32	1916.006.055	Nut, M 6/0.5 d	1
33	1820.050.072	Pawl short	1
34	1820.050.073	Pawl long	1
35	1820.010.010	Compression spring	2
* 36	1820.030.254	Screw to pawl	1
37	1911.006.202	Cylinder screw, M 6 x 20	4
38	1919.606.072	Lock washer, M 6	4
39	1912.504.057	Flat head screw, M 4 x 5	1
40			
41	1172.500.020	Rocker, incl. pos. 42	1
42	1935.510.150	Slide bearing, ø 10/12 x 15	2
43	1933.716.120	Needle bearing, ø 16/22 x 12	3
44	1820.030.267	Shaft	1
45	1820.020.051	Roller	1
46	1920.104.072	Retaining ring, ø 4	4
47	1820.030.256	Rocker shaft	1
48	1820.030.092	Threaded pin with bolt	1
49	1820.010.172	Compression spring	1

Pos.	Part no	Part name	Quantity
50			
51	1820.030.257	Tension shaft	1
52	1830.000.062	Key to blocking wheel	1
53	1820.040.060	Blocking wheel	1
54	1820.080.015	Tension lever complete, incl. pos. 57	1
55			
56			
57	1820.080.051	Knob	2
58			
59	1820.050.052	Tension pawl complete, incl. pos. 27	1
60			
61			
62			
63	1820.010.061	Compression spring	1
64	1820.030.074	Bolt	1
65	1920.209.102	Retaining ring, ø 9	2
66	1923.316.042	Key, ø 16 x 4	1
* 67	1820.040.069	Tension wheel	1
68	1920.216.102	Retaining ring, ø 16	2
69	1917.402.180	Washer, ø 18/24 x 2	2
70	1820.020.193	Bushing	1
71	1172.500.008	Guide plate front, incl. Pos. 70+72	1
72	1820.030.258	Spring pin	1
* 73	1830.000.276	Knife	1
74	1830.000.148	Key for knife	1
* 75	1820.010.058	Compression spring	1
* 76	1820.010.069	Torsion spring	1
* 77	1820.030.017	Cylinder screw 13, 16 mm	1
* 77	1820.030.301	Cylinder screw 19 mm	1
78			
79	1830.000.098	Shim	2
80	1172.500.009	Bearing	2
81	1820.020.237	Bushing	2
82	1172.500.010	Pinion	1
83	1820.020.152	Spacer bushing long	1
84	1172.500.011	Cam complete, incl. Pos. 86, 87	1
85			
86	1820.030.059	Rivet bolt	1
87	1820.020.054	Guide roll	1
88			
89	1820.020.153	Spacer bushing short	1
90			
91	1921.403.081	Spiral pin, ø 3 x 8	2
92	1820.080.019	Sealing lever complete, incl. Pos. 57	1
93			
94	1911.005.258	Cylinder screw, M 5 x 25	1
95	1916.305.052	Lock nut, M 5	4
96	1172.500.013	Slider	1
97	1820.030.259	Slider bolt	1

Pos.	Part no	Part name	Quantity
98	1830.000.104	Link	4
99	1820.030.093	Link bolt	2
100	1830.000.010	Jaw 9.5 mm, right	13 mm 1
100	1830.000.134	Jaw 9.5 mm, right	16 mm 1
100	1830.000.135	Jaw 9.5 mm, right	19 mm 1
101	1830.000.012	Jaw 9.5 mm, left	13 mm 1
101	1830.000.143	Jaw 9.5 mm, left	16 mm 1
101	1830.000.144	Jaw 9.5 mm, left	19 mm 1
102	1830.000.119	Notcher	13 mm 2
102	1830.000.120	Notcher	16 mm 2
102	1830.000.121	Notcher	19 mm 2
103	1830.000.244	Jaw 5 mm	13, 16 mm 2
103	1830.000.243	Jaw 5 mm	19 mm 2
104	1830.000.106	Jaw 3.9 mm, right	13 mm 1
104	1830.000.108	Jaw 3.9 mm, right	16 mm 1
104	1830.000.109	Jaw 3.9 mm, right	19 mm 1
105	1830.000.112	Jaw 3.9 mm, left	13 mm 1
105	1830.000.114	Jaw 3.9 mm, left	16 mm 1
105	1830.000.115	Jaw 3.9 mm, left	19 mm 1
106	1820.030.095	Bolt	2
107	1172.500.014	Guide plate rear	1
* 108	1920.208.082	Retaining ring, \varnothing 8	4
* 109	1911.905.122	Counter sunk screw, M 5 x 12	8
110	1172.500.015	Intermediate plate	1
111	1820.020.166	Roll	1
112			
113	1172.540.002	Seal housing	13 mm 1
113	1172.550.002	Seal housing	16 mm 1
113	1172.560.002	Seal housing	19 mm 1
114	1911.505.169	Hex. screw, M 5 x 16	1
115	1916.005.088	Nut, M 5/0.8 d	1
116	1921.404.181	Spiral pin, \varnothing 4 x 18	2
117	1172.540.003	Guide rail	13 mm 1
117	1172.550.003	Guide rail	16 mm 1
117	1172.560.003	Guide rail	19 mm 1
118	1172.540.007	Seal guide	13 mm 1
118	1172.550.007	Seal guide	16 mm 1
118	1172.560.007	Seal guide	19 mm 1
119	1911.905.162	Counter sunk screw, M 5 x 16	5
120			
121	1172.500.028	Lever	1
122	1172.500.017	Presser plate	1
123	1820.020.168	Bushing	1
124	1820.030.269	Shaft	1
125	1820.010.137	Torsion spring	1
126	1920.106.072	Retaining ring, \varnothing 6	3
127	1172.500.018	Trigger	1
* 128	1820.010.138	Twin stud torsion spring	2
129	1820.020.154	Spacer pipe	2
130	1911.105.502	Cylinder screw, M 5 x 50	2
131	1172.500.023	Seal feed lever	1
132	1917.803.056	Washer, M 5	2
133	1830.000.094	Seal weight block blue	13 mm 1
133	1830.000.093	Seal weight block orange	16 mm 1
133	1830.000.337	Seal weight block yellow	19 mm 1
134	1830.000.058	Spring holding bolt	1
135	1923.501.120	Split pin, \varnothing 2 x 12	1
* 136	1830.000.057	Leaf spring	1

Pos.	Part no	Part name	Quantity
* 137	1912.503.087	Pan-head screw, M 3 x 8	1
138			
139			
140			
141	1916.308.082	Pan-head screw, M 8	1
142	1917.809.088	Washer, M 8	1
143			
144	1821.090.003	Name plate	1
145			
146			
147			
148	1172.500.024	Shim plate	1
149			
150	1911.005.258	Cylinder screw, M 5 x 16	2



a) Loctite 222 b) Loctite 243 d) Loctite 480 CM 14 1172.400.000/3